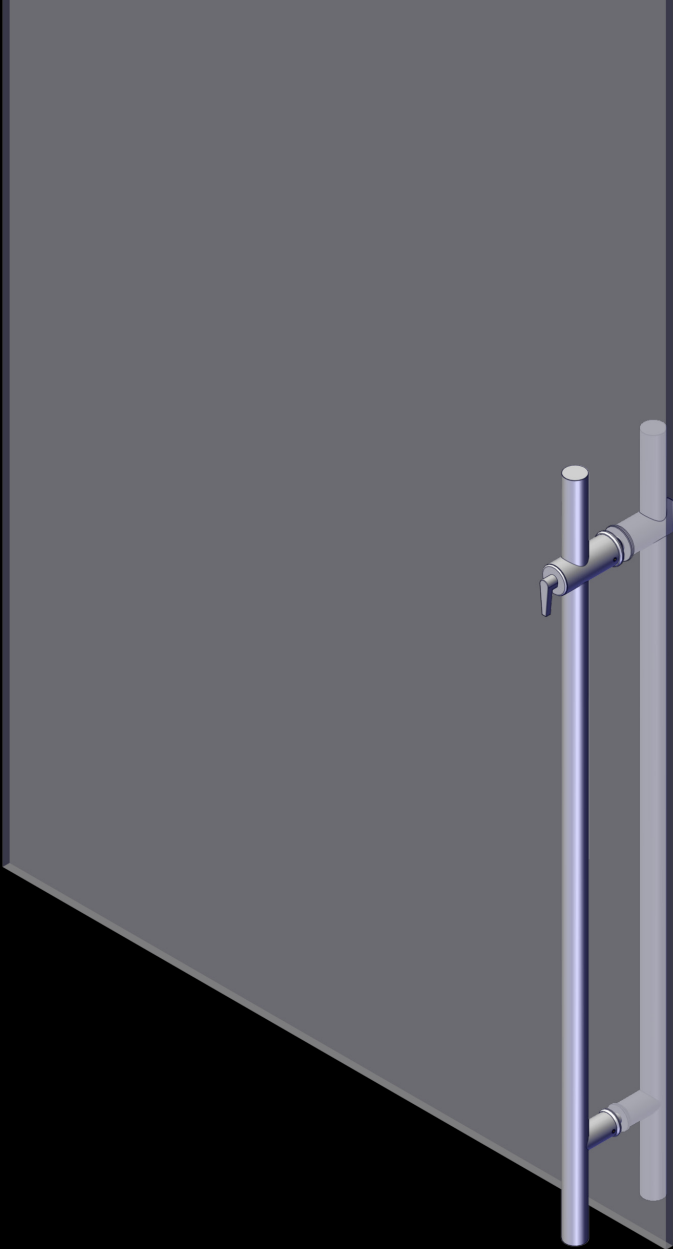


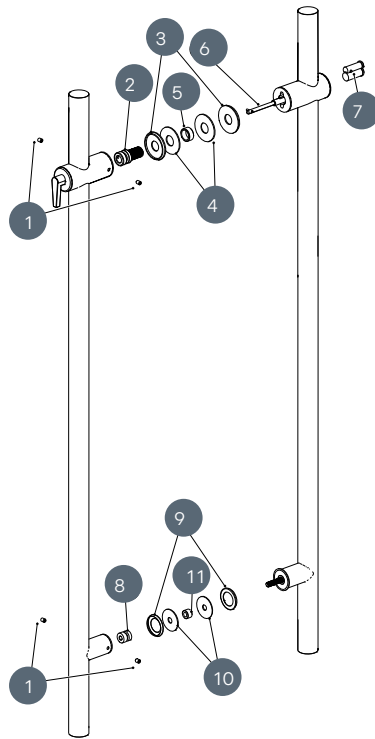
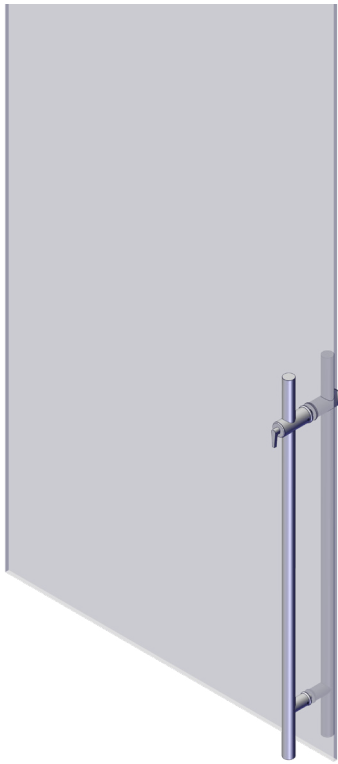
# LLNSP LOCKING HANDLE

INSTALLATION MANUAL



CONCEPTS  
MIAMI

# GETTING STARTED

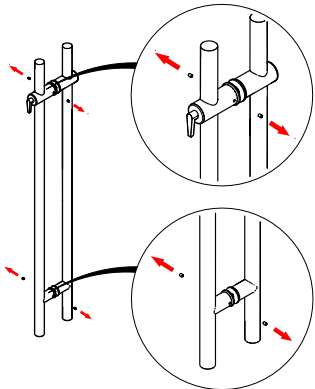


- 1 SET SCREWS (M6)
- 2 CONNECTING BOLT
- 3 METAL GROMMETS ( $\phi$ 45MM)
- 4 NYLON WASHER ( $\phi$ 45MM)
- 5 NYLON BUSHING
- 6 CONNECTING ROD
- 7 (PROVIDED BY OTHERS)
- 8 CONNECTING NUT
- 9 METAL GROMMETS ( $\phi$ 35MM)
- 10 NYLON WASHER ( $\phi$ 35MM)
- 11 NYLON BUSHING

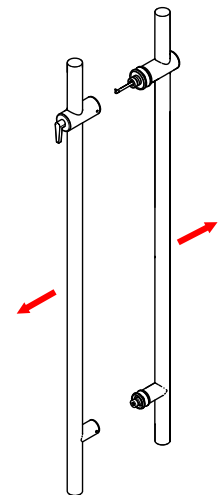
## TOOLS REQUIRED:

3MM HEX KEY

- 1 Loosen (4) M6 set screws using  
3mm Hex key

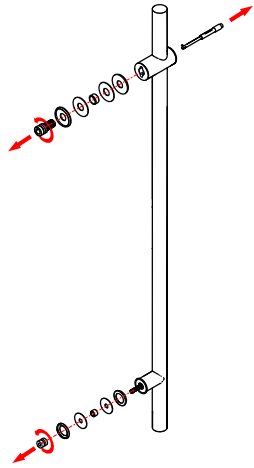


- 2 Separate  
handle halves



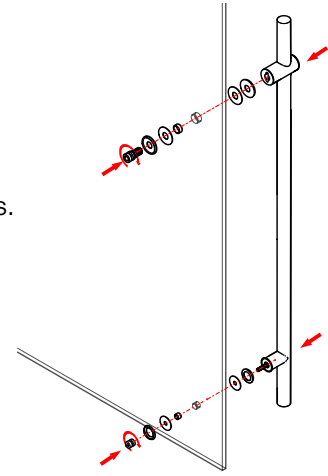
3

Remove connecting bolt/nut/washers/grommets and connecting rod



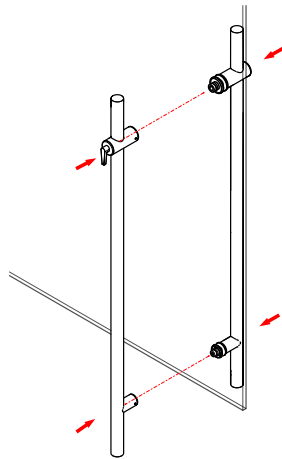
4

Line up connecting bolt, nut, grommets, washers and bushing to glass cut-outs. Tighten bolt/nut.



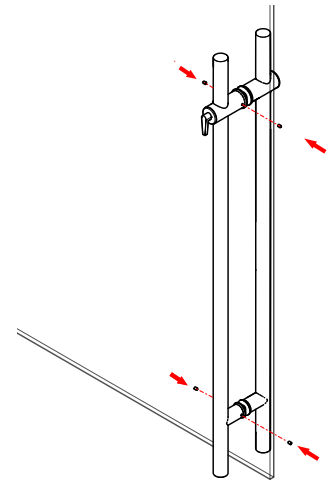
5

Line up remaining handle half to connecting bolt/nut and insert



6

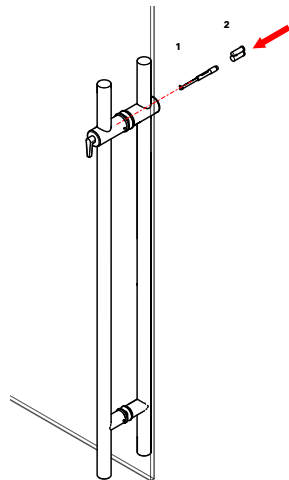
Tighten set screws using 3mm Hex key



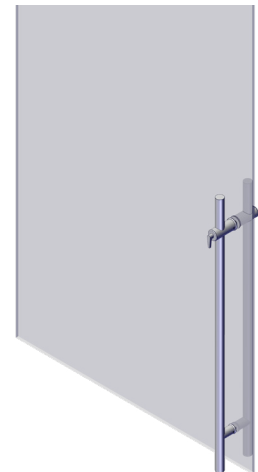
7

Insert connecting rod and lock core using control key.

Position connecting rod so that front end of connecting rod mates with back end of core (core is provided by others)



INSTALLATION COMPLETE



# ABOUT T CONCEPTS MIAMI

T CONCEPTS MIAMI (TCS) is a Miami-based manufacturer of architectural door hardware. Our firm specializes in locking ladder pulls, non-locking ladder pulls, custom pull handles, ADA compliant hardware, hydraulic hinges + patch fittings, along with complete, revolutionary environments' solutions. TCM services clients throughout North and South America, and Europe.

T CONCEPTS MIAMI has taken a long look at the glass hardware industry...and decided it's time for a transparent evolution.

For more information, visit us online or contact us directly.

**REQUEST A QUOTE**

[RFQ@T-CONCEPTS.COM](mailto:RFQ@T-CONCEPTS.COM)

**CONTACT US**

[T-CONCEPTS.COM](http://T-CONCEPTS.COM) | 888.409.9340

[HELLO@T-CONCEPTS.COM](mailto:HELLO@T-CONCEPTS.COM)