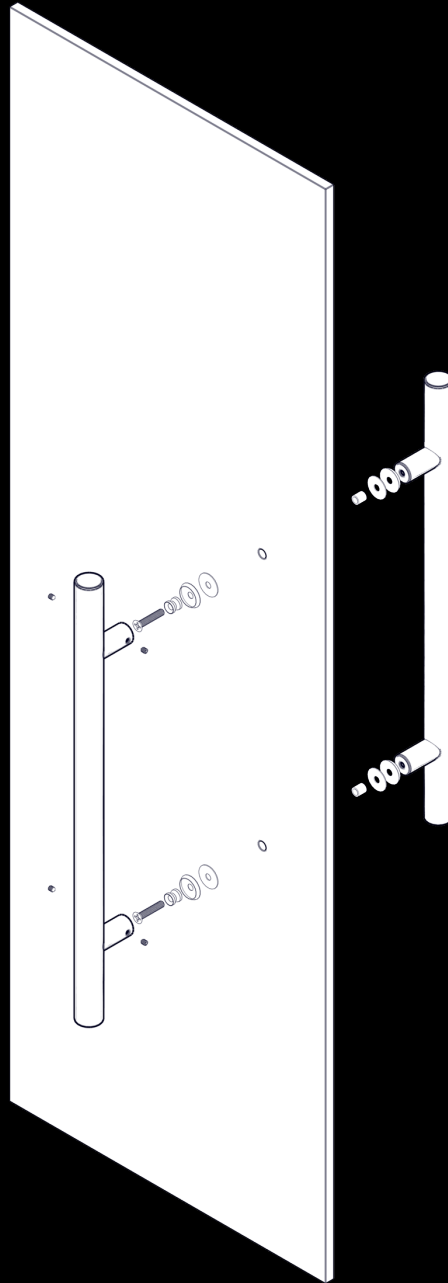


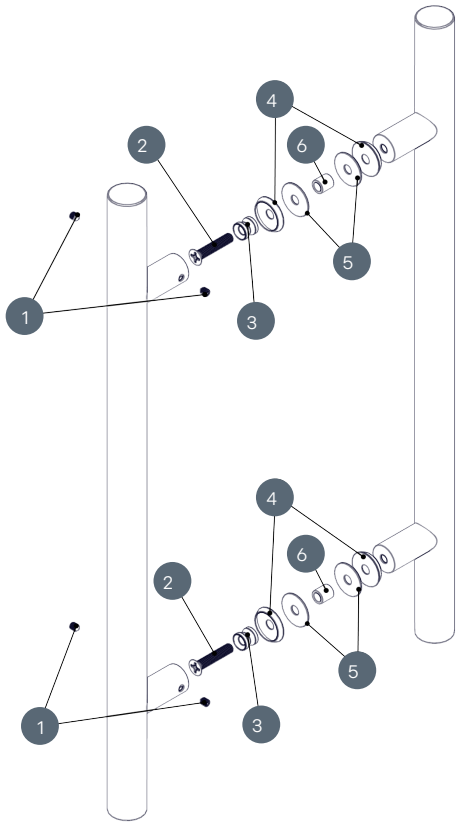
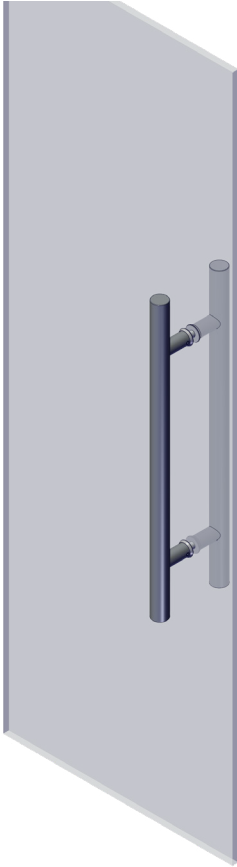
XP NON-LOCKING HANDLE

INSTALLATION MANUAL



CONCEPTS
MIAMI

GETTING STARTED



- 1 SET SCREWS (M6) FLAT
- 2 HEAD SCREW
- 3 CONNECTING NUT
- 4 GROMMET
- 5 POST WASHER
- 6 POST BUSHING

TOOLS REQUIRED:

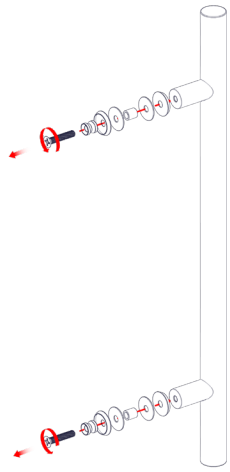
3MM HEX KEY PHILLIPS
SCREWDRIVER

1 Loosen (4) M6 set screws using 3mm Hex key

2 Separate handle halves

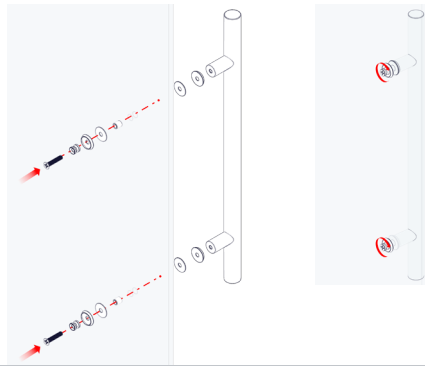
3

Remove flat head bolt/nut/washers using Phillips screwdriver



4

Arrange components as shown. Slide flat head screw through all components and glass cut-outs and tighten using Phillips screwdriver.

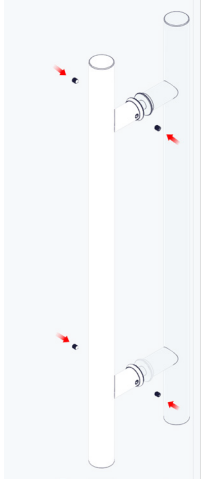


5

Line up handle halves and tighten set screws.



Tighten evenly from both sides



INSTALLATION COMPLETE



ABOUT T CONCEPTS MIAMI

T CONCEPTS MIAMI (TCS) is a Miami-based manufacturer of architectural door hardware. Our firm specializes in locking ladder pulls, non-locking ladder pulls, custom pull handles, ADA compliant hardware, hydraulic hinges + patch fittings, along with complete, revolutionary environments' solutions. TCM services clients throughout North and South America, and Europe.

T CONCEPTS MIAMI has taken a long look at the glass hardware industry...and decided it's time for a transparent evolution.

For more information, visit us online or contact us directly.

REQUEST A QUOTE

RFQ@T-CONCEPTS.COM

CONTACT US

T-CONCEPTS.COM | 888.409.9340

HELLO@T-CONCEPTS.COM