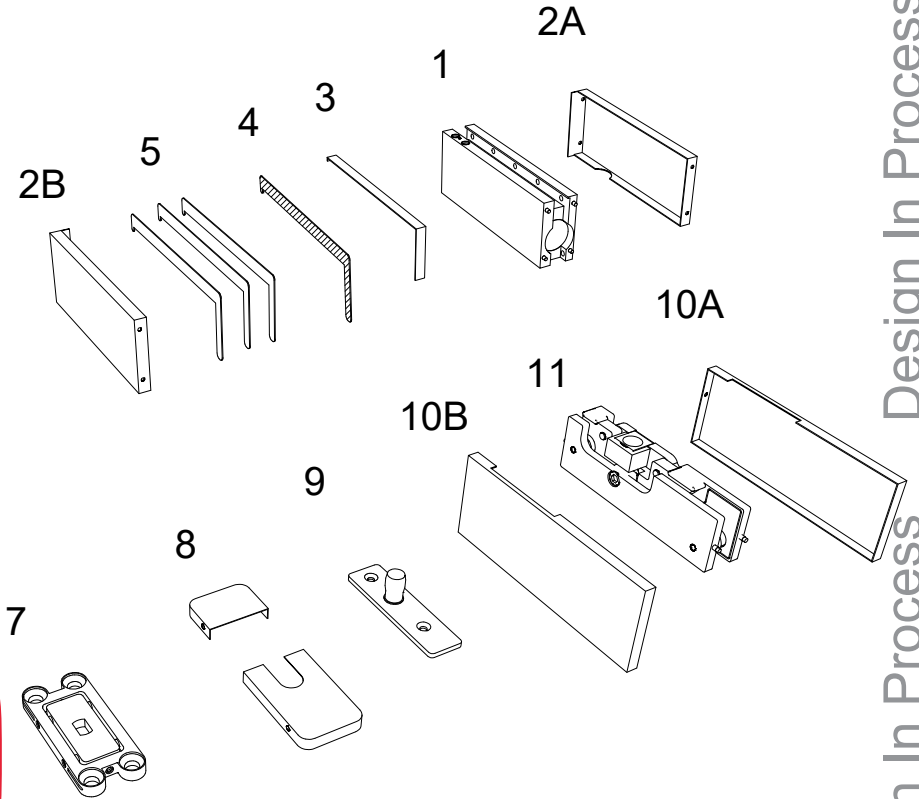
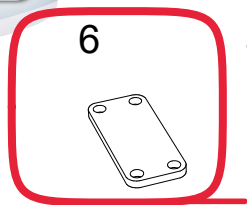


Pivot Door Assembly

- 1) Hydraulic Bottom Patch
- 2) Patch Covers (front & back)
- 3) Plastic Liner
- 4) Clamp Plate
- 5) Shim Spacers
- 6) Shim block for Base Plate
- 7) Base Plate
- 8) Base Plate Cover
- 9) Top Pin Plate
- 10) Top Patch Covers (front & back)
- 11) Top Patch
- 12) (4x) Tapcon 2 3/4" x 1/4" Phillips head screws
- 13) (4x) #10 x 3" self-drilling Phillips head screws



Shim recommended for carpet and/or padded finished floor material. This is optional and does not come standard inside kit. May be purchased separately in 3mm, 6mm or 9.5mm thickness depending on project requirement.



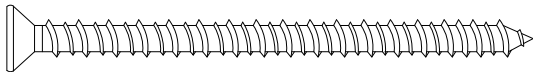
Design In Process

Setting Base Plate

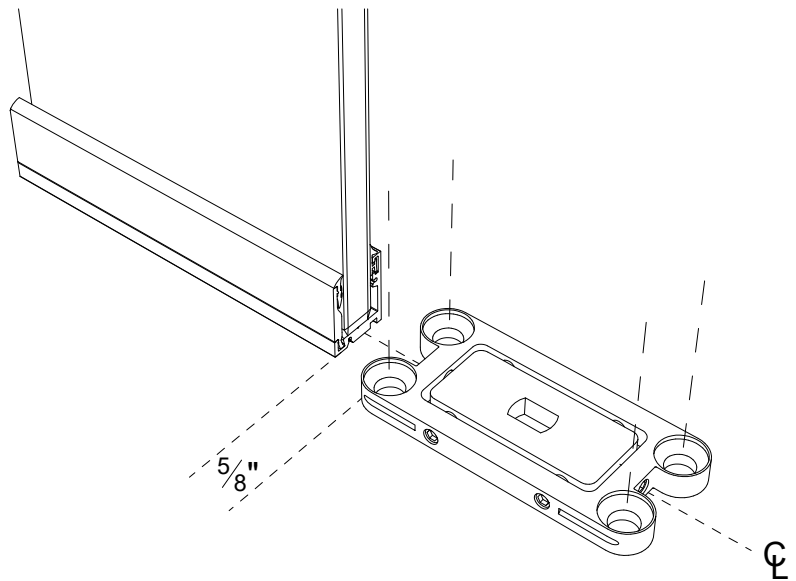
Measure 5/8" from the edge of the base track to the rounded edge of the base plate. The center line of the plate should be aligned with the center line of the 1/2" fixed glass.

Using a 3/16" masonry bit, hammer drill 4 holes and secure base plate. Use 2 3/4" tapcon masonry screws to fasten.

*Note: base plate should not be mounted on top of carpet. If carpet is installed prior to the base plate, the carpet needs to be cut out and shims are to be used under the base plate.



Scale 1:1
*See hardware disclaimer on page 2



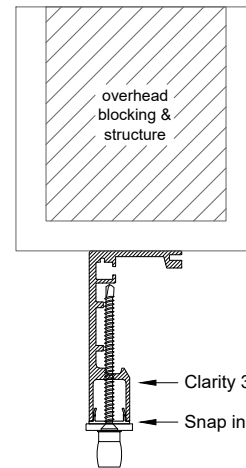
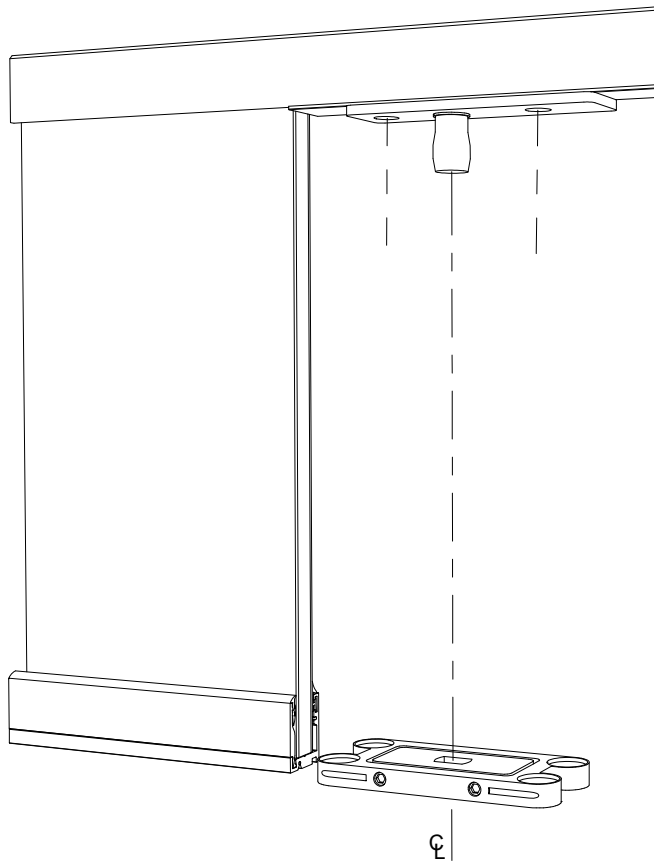
Design In Process

Setting Top patch pin

Place the top pin overhead. Use a laser to position the top pin directly over the base plate center groove. Use #10 x 3" self drilling phillips head screws to secure top pin.

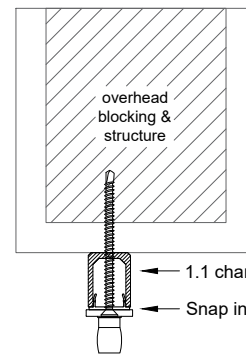
Pivot doors for the Clarity system can be adapted to the design intent and specifications of the designer.

Below are the 3 overhead configurations that are used.



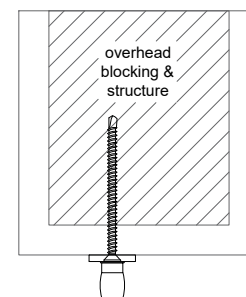
Configuration 1:

Used where pivot doors and sliding doors are used in close proximity to one another.



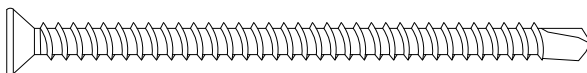
Configuration 2:

Used on projects where pivot doors are exclusively specified or in locations that are separated from sliding doors.



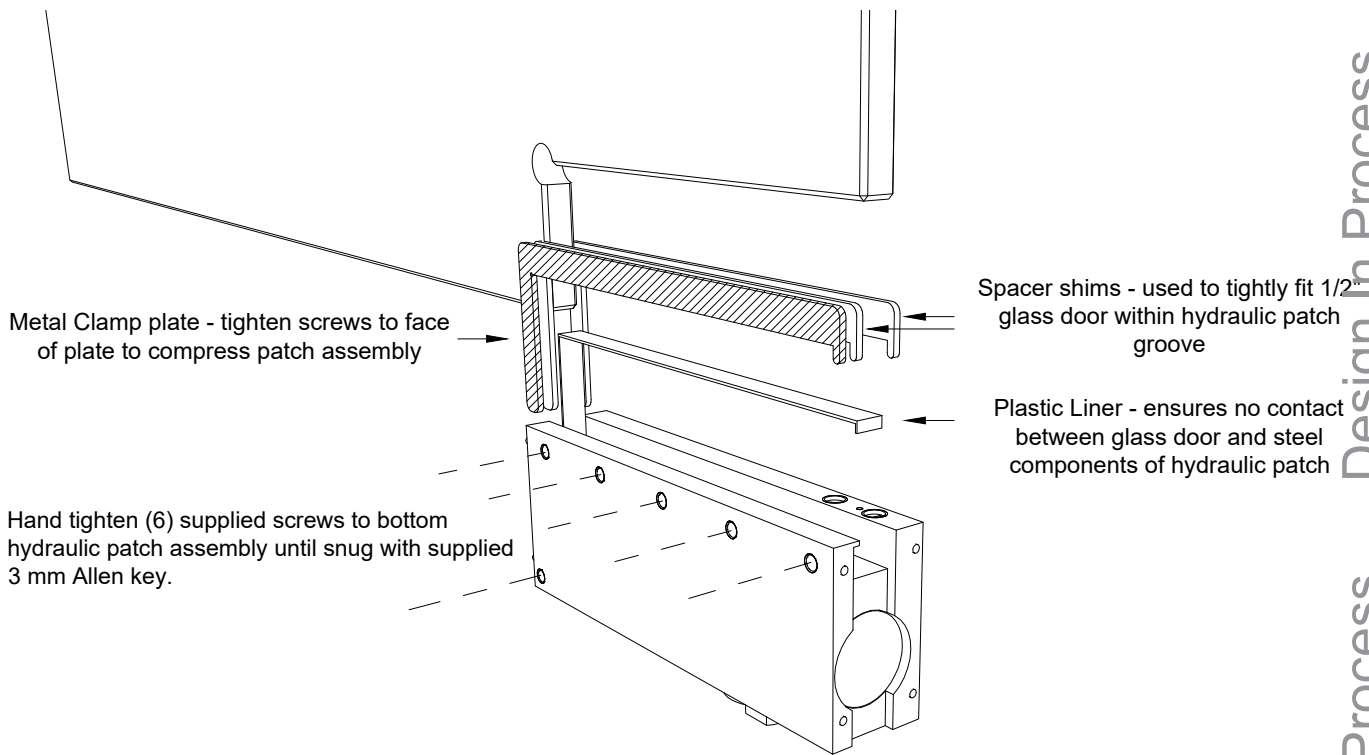
Configuration 3:

Used where pivot doors are in "full height" accordance of the design intent of the project.



Scale 1:1
*See hardware disclaimer on page 2

Mounting Bottom Hydraulic Patch

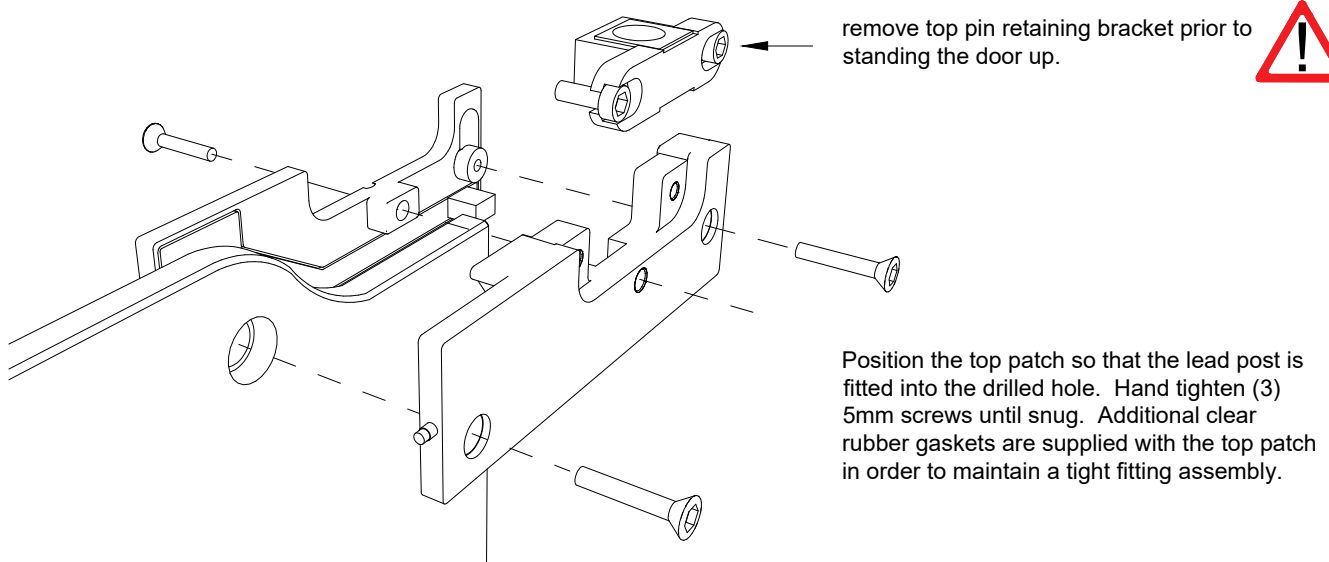


Design In Process

In Process



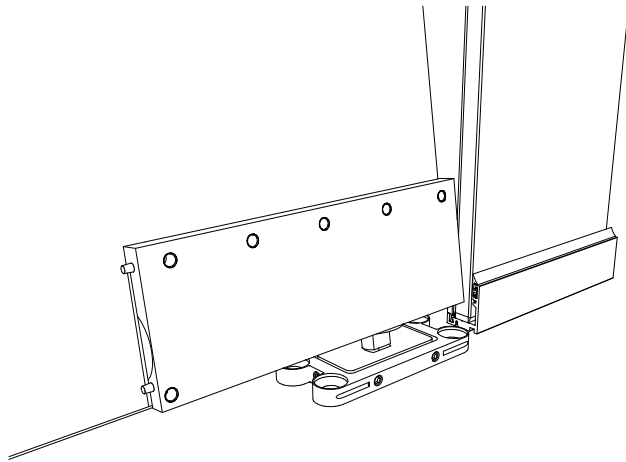
Mounting Top Pivot Patch



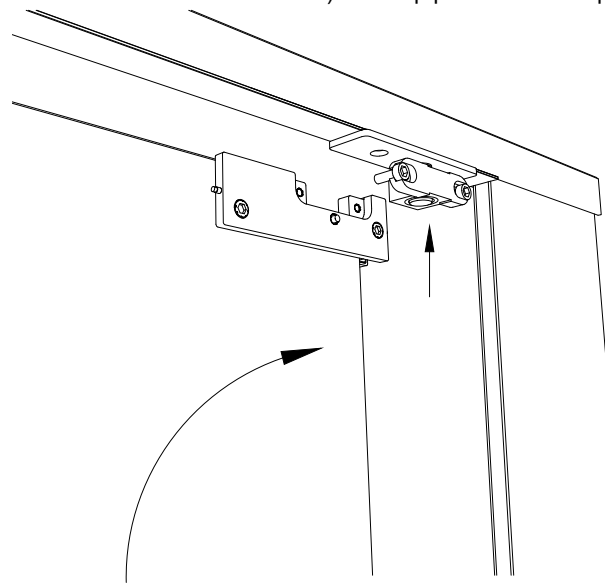
Design

In Process

Installing Pivot Door



1) Tilt door back to ease the bottom hydraulic pin into place within the pivot baseplate.



2) slide top pin bracket into place

3) rotate door into position and fasten top pin bracket to top patch assembly using the (2x) 5mm screws.

Design In Process



5 mm

Design In Process

Design In Process