

UNICA SERIES

Doorcloser Hinge



Biloba Unica was born for external doors, but its shaped and minimal design allows to be applied in every type of environment. The device includes: brake, closing speed adjustment, final latch adjustment, all this in a 56 mm height.

This hinge is easy and quick to install in the floor and can also be applied as a pivot. It may be combined with all patch fittings and the upper hinge series called Maxima.

Available in all finishes.
Glass thickness- 5/16" (8mm) to 9/16" (13.52mm).
Door Weight- 220 lbs (100kgs).



100E10



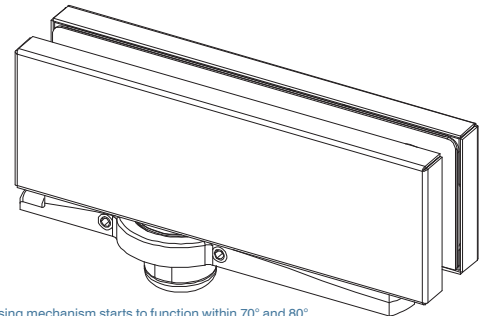
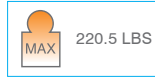
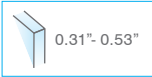
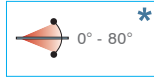
UNICA SERIES

Doorcloser Hinge



100E 10

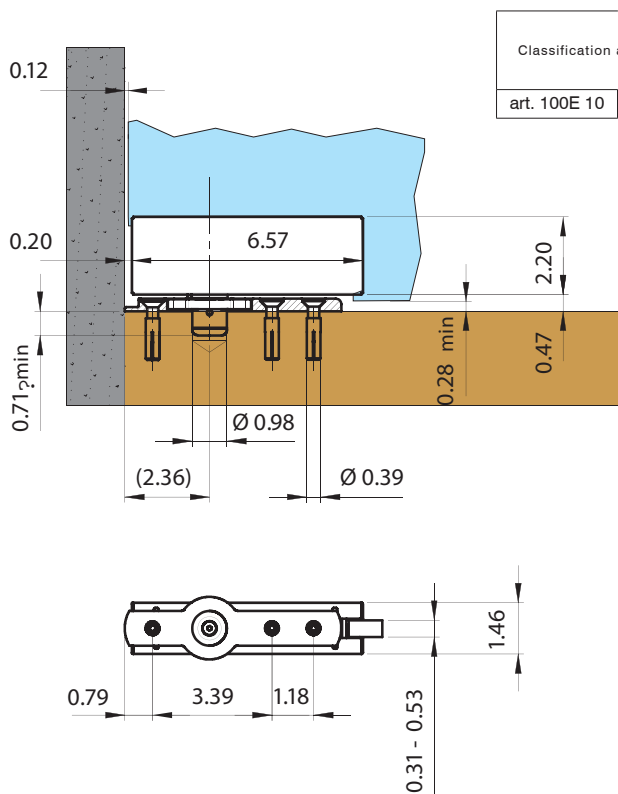
BILOBA
UNICA



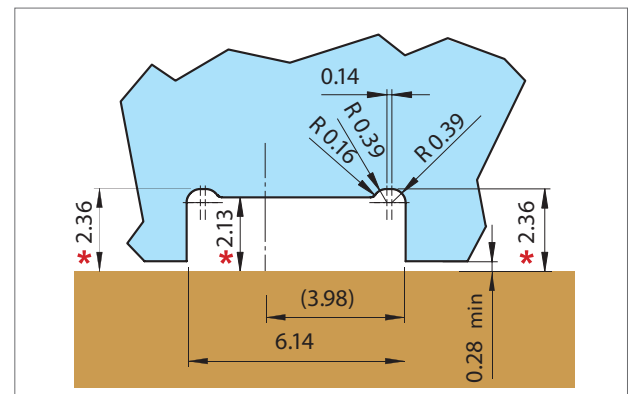
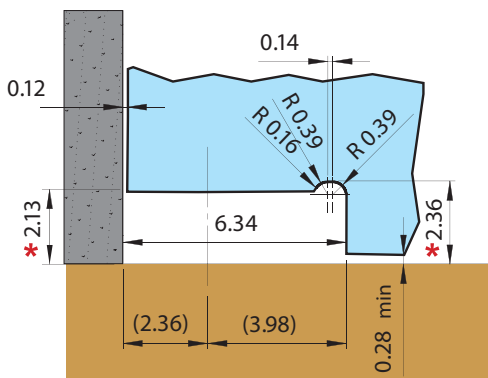
* The closing mechanism starts to function within 70° and 80°.
The closing is soft for the first 20° and adjustable with control starting from 60° until completed closing

Hydraulic hinge, including brake and closing speed adjustment and the end click of the leaf. Compatible with all patch fittings of the Maxima series. Useful also for pivoting applications. Stop at 0° +90° -90°.

AVAILABLE IN VERSION "L" LIGHT WITH WEAKENED SPRING FOR DOORS WITH WIDTH LESS THAN 600MM. Both have to be specified on being ordered and could be subjected to minimum quantity order. For further information, please get in touch with the sales department.



Glass processing for pivoting applications



* DISTANCE FROM THE FLOOR



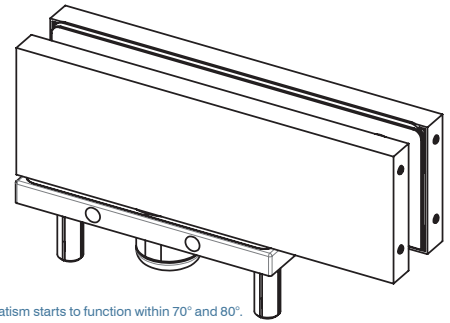
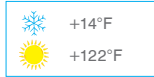
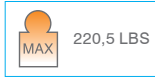
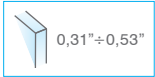
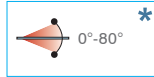
UNICA SERIES

Doorcloser Hinge



100E 10A

BILOBA UNICA

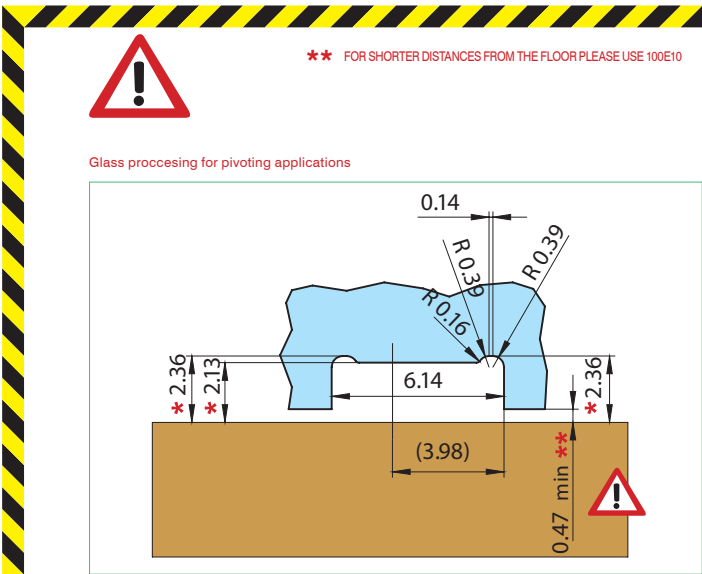
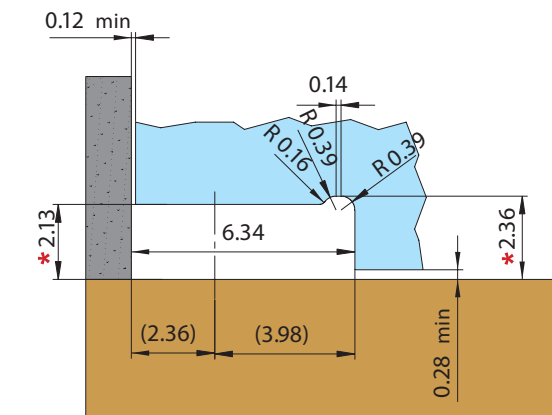
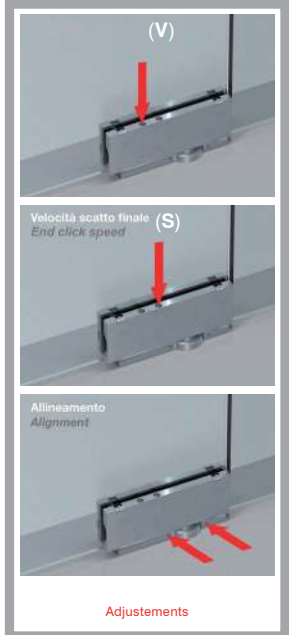
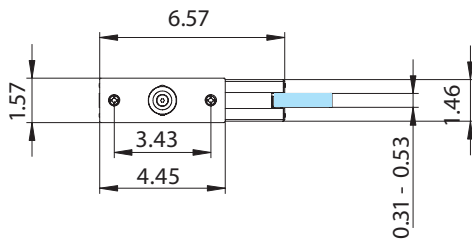
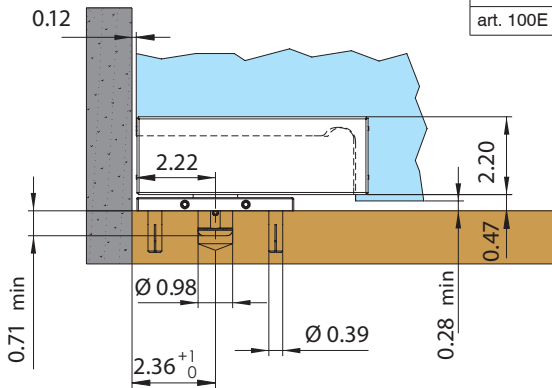


* The closing automatism starts to function within 70° and 80°. The closing is soft for the first 20° and adjustable with control starting from 60° till completed closing

Hydraulic hinge, including brake and closing speed adjustment and the end click of the leaf. Compatible with all patch fittings of the Maxima series. Useful also for pivoting applications. Stop at 0° +90° -90°.

AVAILABLE IN VERSION "L" LIGHT WITH WEAKENED SPRING FOR DOORS WITH WIDTH LESS THAN 600MM. Both have to be specified on being ordered and could be subjected to minimum quantity order. For further information, please get in touch with the export department.

Classification according to the law			
art. 100E 10A	EN 1154 : 2006	4	8
		0	1
		0	4



** FOR SHORTER DISTANCES FROM THE FLOOR PLEASE USE 100E10



Glass processing for pivoting applications

* DISTANCE FROM THE FLOOR



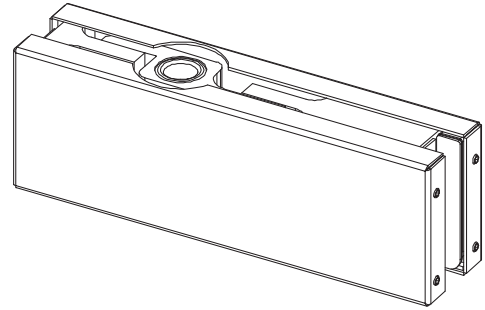
UNICA SERIES

Doorcloser Hinge

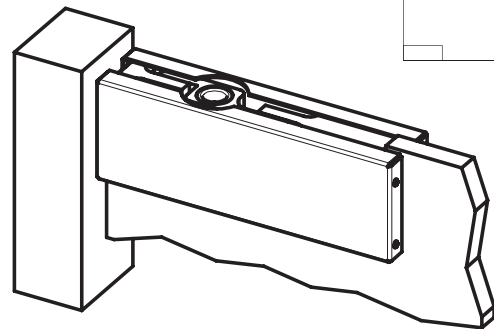
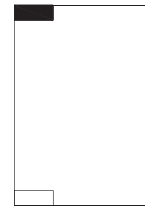
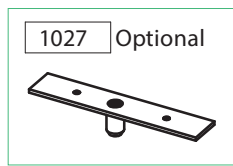
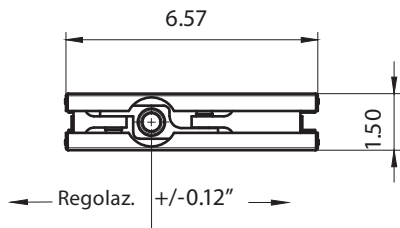
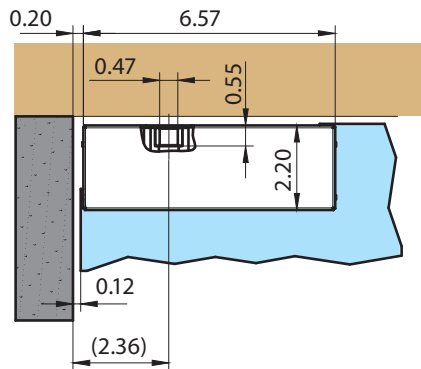
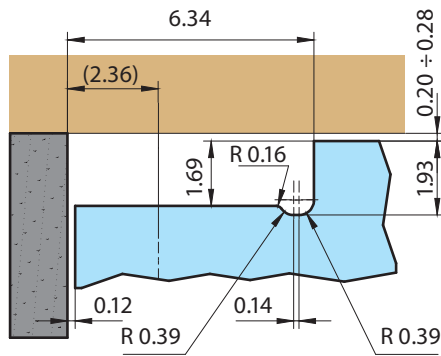


100E 20

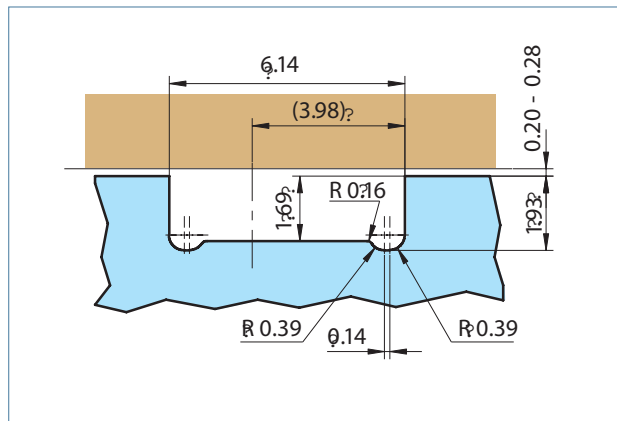
BILOBA UNICA



Top hinge



Glass processing for pivoting applications



1027

Top pin for 1020-1820.

