

TRILOBA SERIES

Doorcloser Hinge



8201



8202

Designed for external doors, it comes equipped with a braking valve that acts against gusty winds. The design is essential and refined thanks to its reduced mechanism dimensions. Covered by international patent, the complete set is both for transoms and side fixed glasses.

Available in the usual finishes.

Glass thickness 10-12 mm.

Doors width 1200 mm, max weight 150 kilos.



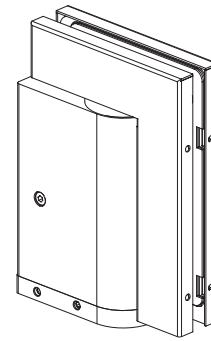
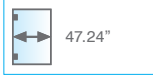
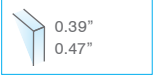
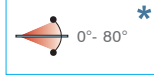
TRILOBA SERIES

Doorcloser Hinge



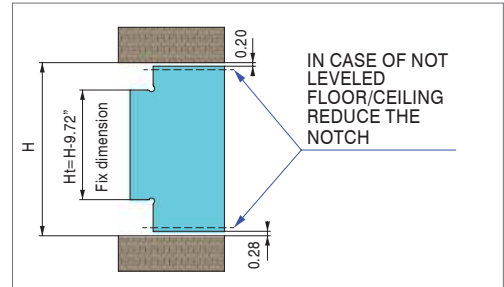
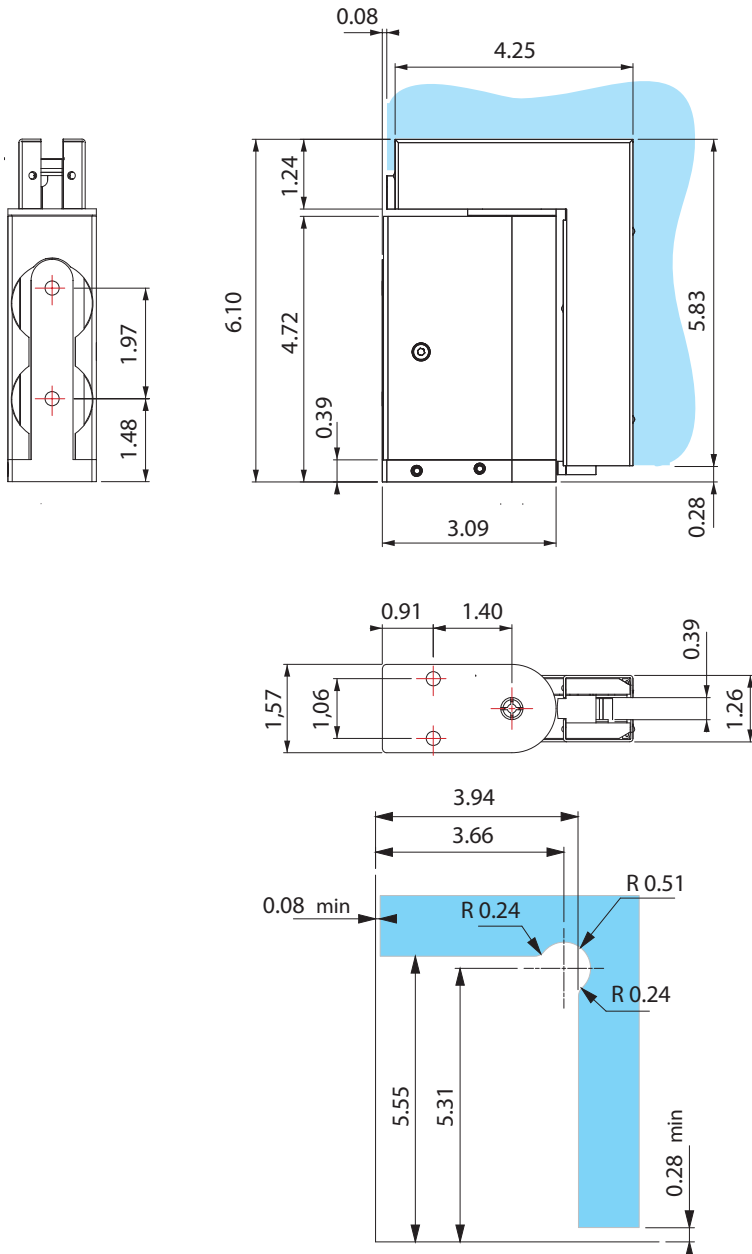
8201

TRILOBA®



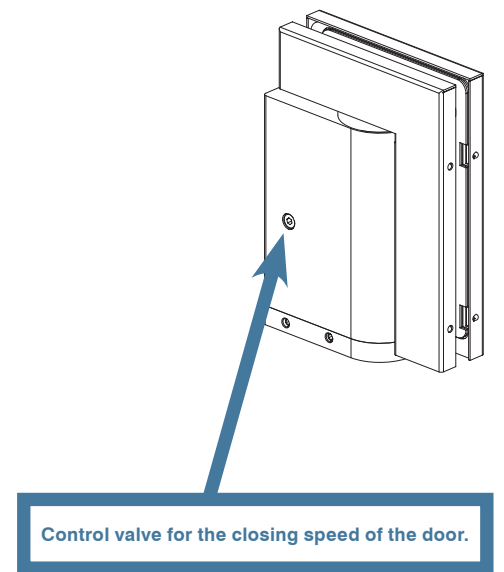
Bottom hydraulic hinge with adjustable closing speed of the door. Stop at 0° +90° -90°.

VIOLENT OPENING FURTHER THAN 95° COULD UNHINGE THE DOOR. WE SUGGEST TO INSTALL A DOOR STOPPER



Classification according to the law

art. 8201	UNI EN 1154 : 2006	3	8	0	1	4
-----------	--------------------	---	---	---	---	---



TRILOBA SERIES

Doorcloser Hinge



8202

TRILOBA®

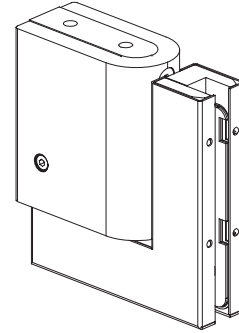
 0° - 80°*

0.39"
0.47"

47.24"

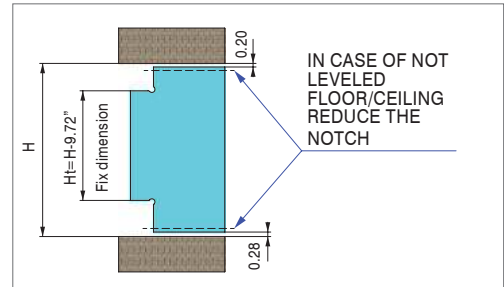
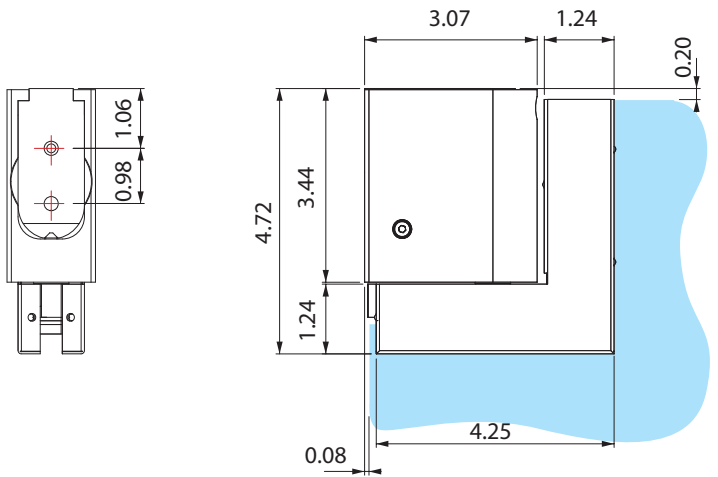
MAX 330.75 LBS

 +5°F
 +104°F



Top hydraulic hinge with control valve for brake.

VIOLENT OPENING FURTHER THAN 95° COULD UNHINGE THE DOOR. WE SUGGEST TO INSTALL A DOOR STOPPER



Classification according to the law

art. 8202	UNI EN 1154 : 2006	3	8	$\frac{3}{6}$	0	1	4		

