

# PURE GLASS SLIM WALL

**P20E/P30W SYSTEM**



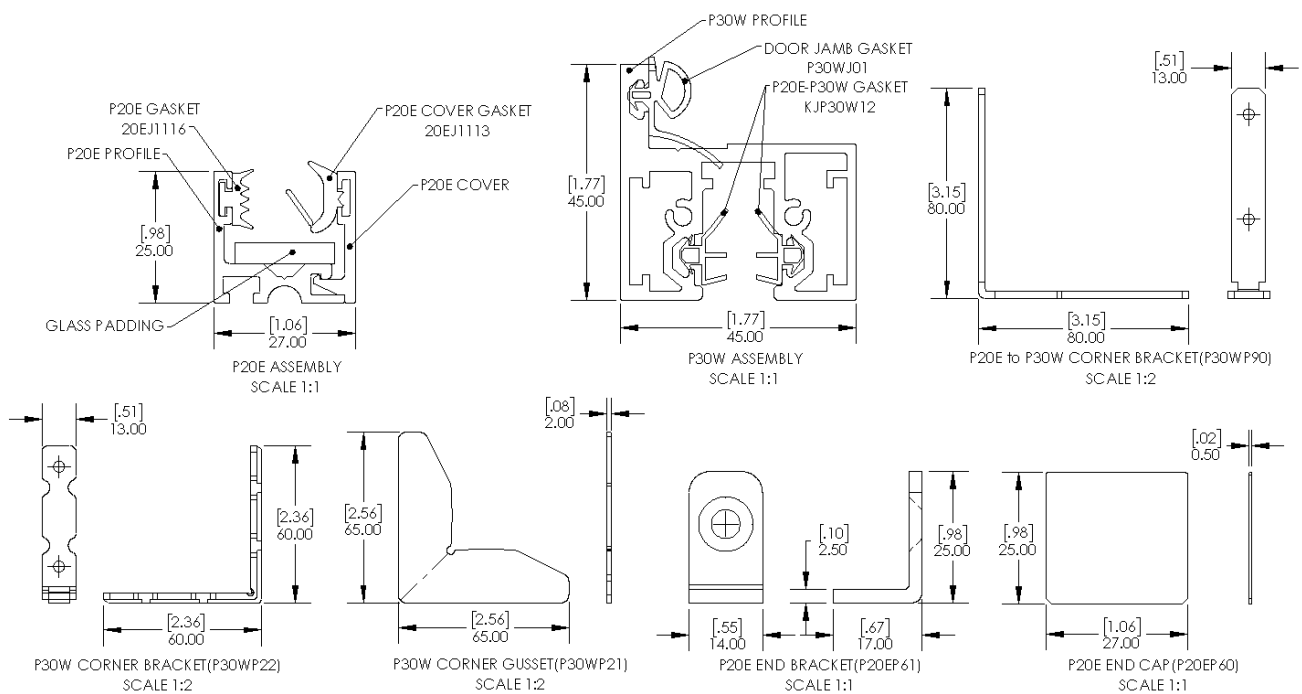
# PURE GLASS SLIM WALL



**Slim:** Slender. Lean. Svelte. Agile + **Wall:** Partition. Separator. Rampart

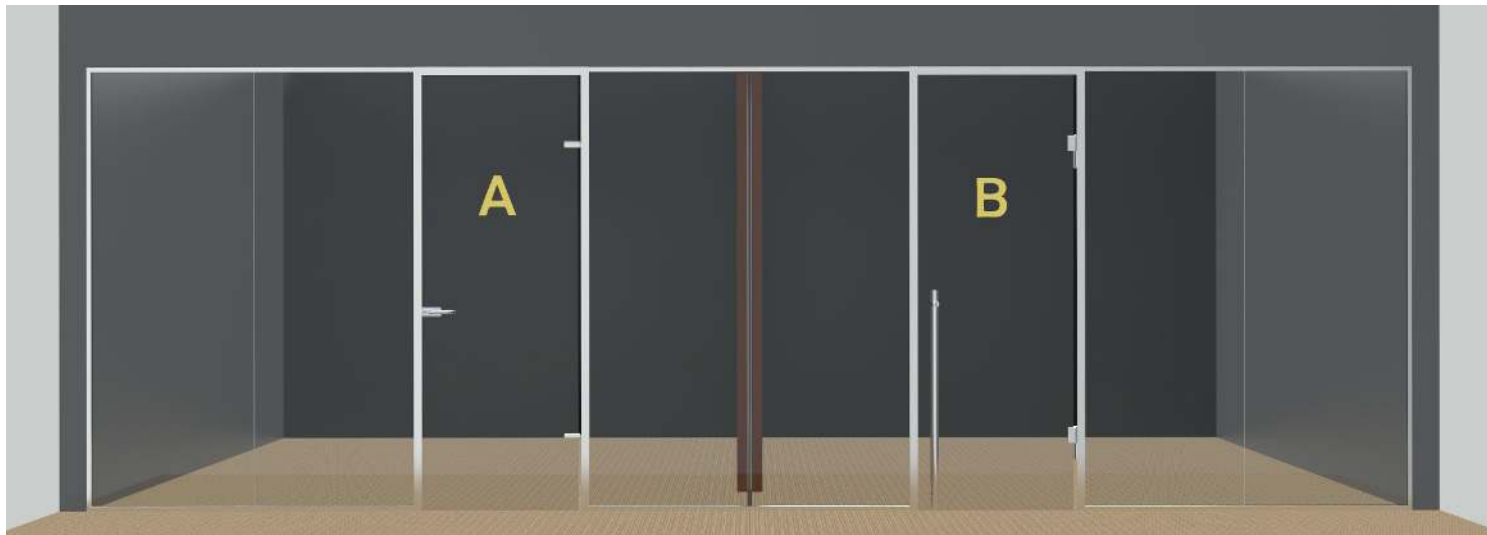
Welcome to the new innovation of wall system from the T-Concepts Solutions family; TCS Environments Complete

## System Components:

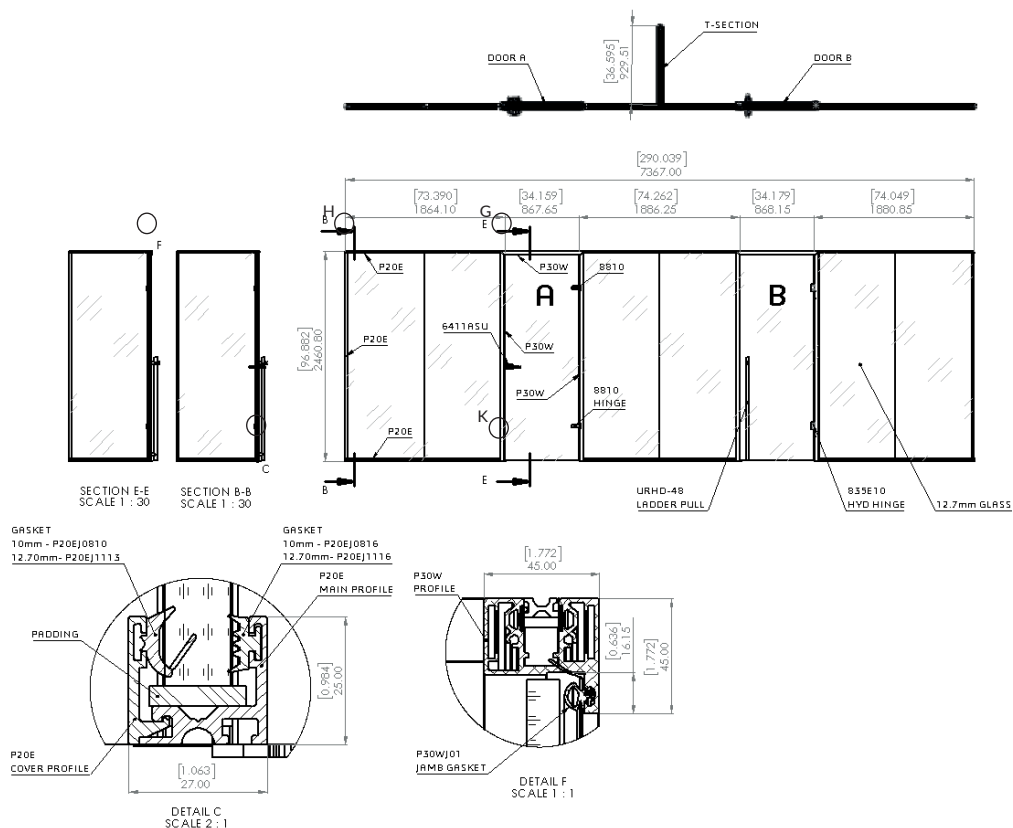


# PURE GLASS SLIM WALL

Typical Installation:



In the world of interior design, less usually equates to more. Our PureGlass Slim Wall System re-introduces the definitive look of framework with minimalistic boundaries and division. Still allowing the fluidity of glass to shine through whilst providing numerous design configurations and options. Slim Wall encourages conversation not contemplation; structured environments that step away from the norm and engage.



BOM Table		
ITEM NO.	PART NUMBER	QTY.
1	P20_END_BOTTOM	3
2	P20_END_TOP	3
3	P20_VERT	3
4	369612glass	7
5	P20_TO_JAMB	8
6	SILICON_STRIP	5
7	369612doorglass	2
8	URHD-4B	1
9	835E10(hyd Hinges)	2
10	P30W_VERT_L	2
11	P30W_VERT_R	2
12	P30W_TOP	2
13	P30WJ01_DAMPER_LEFT	2
14	P30WJ01_DAMPER_RIGHT	2
15	P30WJ01_DAMPER_TOP	2
16	P30WP22_CornerBracket	2
17	P30WP22_CornerGusset	4
18	8810	2
19	6411ASU	1

# PURE GLASS SLIM WALL



DETAIL G



DETAIL H



DETAIL K

A featured look into how the PureGlass Slim Wall System joins together at its most critical gathering points.

## HANDLE OPTIONS

FLEXA Handle with Lock



6411ASU

Ladder Pull



URHD-48

## HINGE OPTIONS

Standard Hinge



8810

Hydraulic-Assist Hinge



835E10

## SWS Series

Slim Wall Slide

Explore the multiple hardware options and design confirmations our SWS Series offers.

