



T CONCEPTS SOLUTIONS

BILOBA

DOORCLOSER HINGES



8010



8060

This hinge represents the evolution and synthesis between the automatic-mechanical hinge and the hydraulic door closer. Developed for internal doors, it keeps its self-closing characteristics. Speed is adjustable. Tested for more than one million cycles and covered by international patents.

Available in standard finishes. Glass thickness 3/8" (10 mm) and 1/2" (12.7 mm).
Max door width 39". Max weight 220 lbs.

8060


Biloba®

Hydraulic hinge with adjustment of the closing speed glazes of the door with stop. Ideal for hermetic closing. Stop at 0° +90°.


Available in further two versions:

1. Without 90° stop
2. "L" light with weakened spring for doors with width less than 500mm.


Both have to be specified on being ordered and could be subjected to minimum quantity order. For further information, please get in touch with the export department.

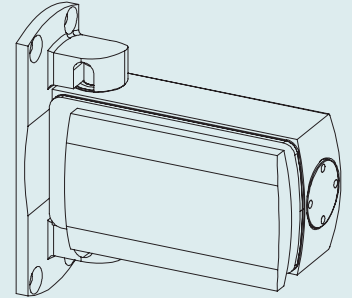
 3/8" - 1/2"

 39.37"


 0°-80°

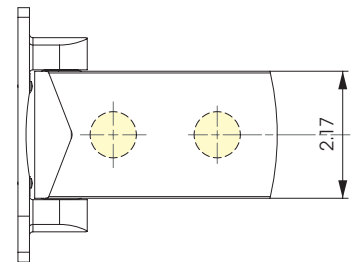
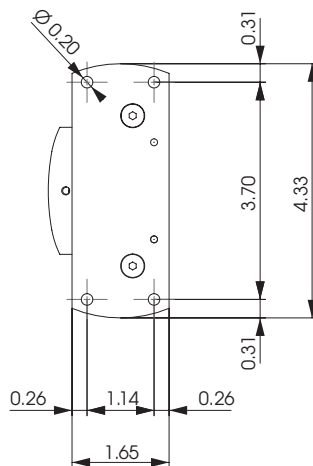
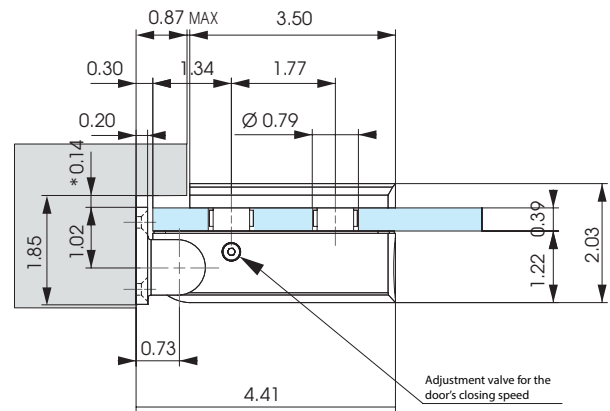
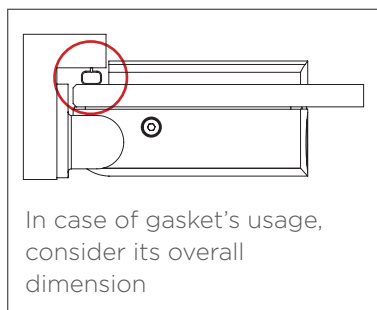
 220.5 lbs

 MIN: +5° F
MAX: +104° F



Tested for 1,000,000 cycles.

Classification according to the law						
art. 8060		uNI EN 1154 : 2006				
3	8	2	0	1	4	



*Minimum distance from wall edge in order to facilitate glass rotation

Wet environment?

Specify the "BT" version suited for bathrooms. To learn more, contact us at design@t-concepts.com.

All information contained in this document is the property of T-Concepts Solutions. Any reproduction in whole or in part is prohibited without prior written consent.



T-CONCEPTS.COM



MIAMI, FL
888.409.9340

T-Concepts Solutions is an official, certified distributor of Colcom Group Products.



8010

Biloba®

Hydraulic hinge with adjustable closing speed of the door. Stop at 0° +90° -90°. Suitable for doors with stop.


Available in further two versions:

1. Without 90° stop for items 8010, 8011 and 8015
2. "L" light with weakened spring for doors with width less than 500mm.


Both have to be specified on being ordered and could be subjected to minimum quantity order. For further information, please get in touch with the export department.

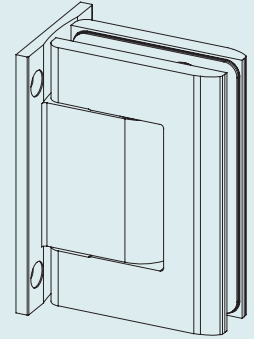
 3/8" - 1/2"

 39.37"


 0°-80°

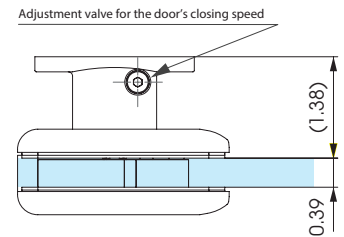
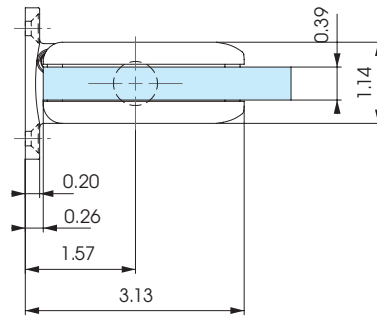
 220.5 lbs

 MIN: +5° F
MAX: +104° F



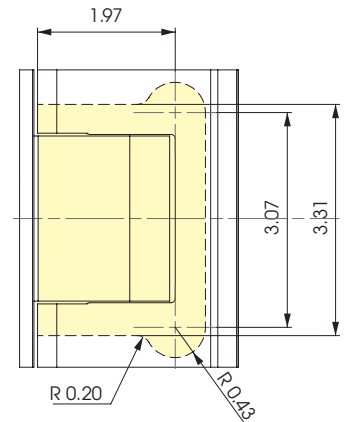
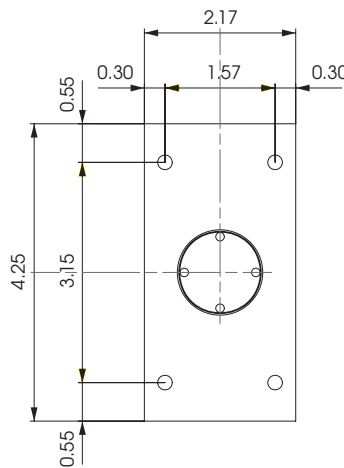
Tested for 1,000,000 cycles.

Classification according to the law						
art. 8010		uNI EN 1154 : 2006				
3	8	2	0	1	4	



Wet environment?

Specify the "BT" version suited for bathrooms. To learn more, contact us at design@t-concepts.com.



All information contained in this document is the property of T-Concepts Solutions. Any reproduction in whole or in part is prohibited without prior written consent.



T-CONCEPTS.COM



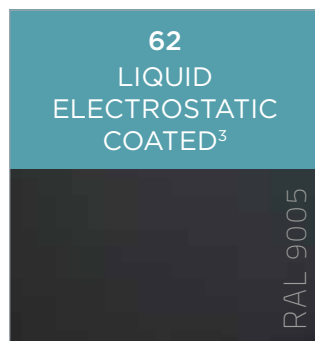
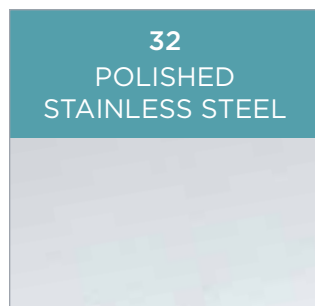
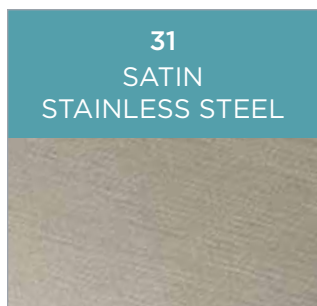
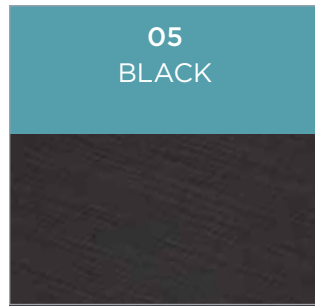
MIAMI, FL
888.409.9340

T-Concepts Solutions is an official, certified distributor of Colcom Group Products.



AVAILABLE FINISHES

We offer a wide range of finishes, each carefully monitored during the production process. The PVD process is possible thanks to nanotechnologies which allow the production of extremely thin coatings with special physical and mechanical features, such as corrosion and wear proof, but most importantly, ecologically efficient.



We also offer special finish options. Please contact your sales representative, or email your request to design@t-concepts.com.

1. PVD Physical Vapor Deposition: The PVD is a metal coating that ensures exceptional resistance to abrasion, resistance to oxidation, innovative and durable coloring.
2. Only for ESPRO system
3. Subjected to minimum order and/or fixed fee of \$175 USD. Minimum order quantity required. Upon request. Please ask our sales department for a quotation.

All information contained in this document is the property of T-Concepts Solutions. Any reproduction in whole or in part is prohibited without prior written consent.



T-CONCEPTS.COM



MIAMI, FL
888.409.9340

T-Concepts Solutions is an official, certified distributor of Colcom Group Products.

